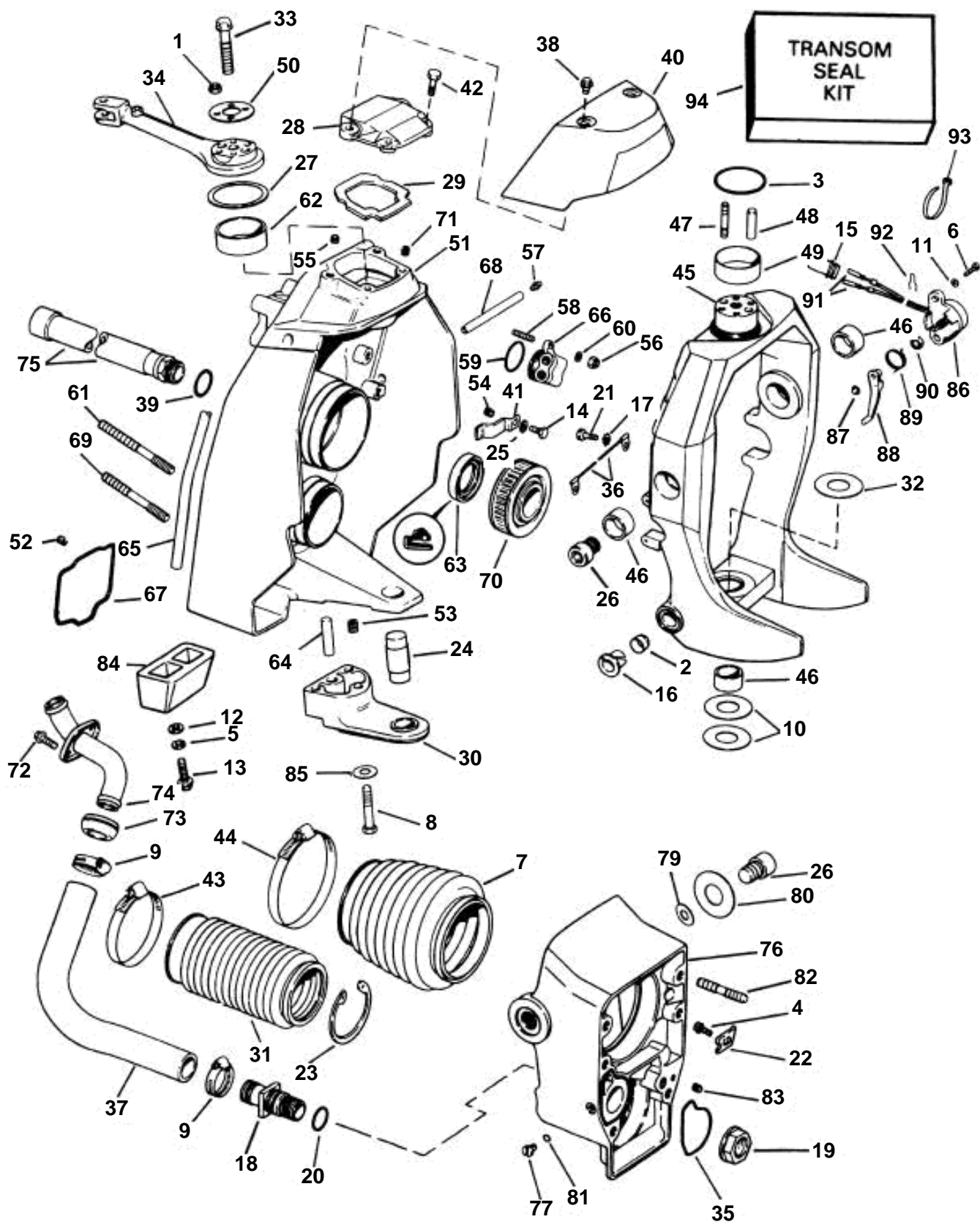


SX - TRANSOM SHIELD



SX - TRANSOM SHIELD

REF	PART NO.	QTY	DESCRIPTION	SEE SEC.	NOTES
1	3852004	4	Lock nut, Steering arm stud		
2	3853424	2	Grommet, Pivot pin		
3	3852044	1	O-ring, Upper gimbal		Part of transom seal kit
4	3852006	1	Screw, Shift cable retainer		
5	3852061	2	Washer, Anode		
6	3852081	2	Screw, Trim sender		
7	3854127	1	Bellows, U-joint		
8	3852151	3	Screw, Support housing		
9	3852602	2	Clamp, Water hose		
10	3852557	X	Thrust washer		
11	3852003	2	Washer, Trim sender		
12	3852191	2	Washer, Anode		
13	3852192	2	Screw, Anode		
14	3852201	2	Screw, Oil line retainer		
15	3853564	1	Connector, Sending unit		
16	3853423	2	Bushing, Pivot pin		
17	3852193	2	Washer, Ground strap		
18	3852533	1	Nipple, Water inlet		
19	3852534	1	Nut, Nipple		
20	3852535	1	O-ring, Nipple		Part of transom seal kit
21	3852050	2	Screw, Ground strap		
22	3852313	1	Retainer, Shift cable		
23	3852665	1	Retainer, Exhaust boot		
24	3852728	1	Shaft, Steering pivot		
25	3852191	2	Washer, Oil line clamp		
26	3852316	2	Screw, Gimbal to pivot		
27	3852554	1	Thrust washer, Steering arm		
28	3854577	1	Cover		
29	3852677	1	· Gasket, Cap		Part of transom seal kit
30	3852380	1	Bracket, Steering support		
31	3850426	1	Rubber bellows, Exhaust		
32	3852557		Thrust washer, Lower gimbal		Part of transom seal kit
33	3852591	1	Screw, Steering arm		
34	3852379	1	Spindle arm		
35	3852560	1	Seal, Water passage 1		
36	3853929	1	Ground cable, Pivot housing		
37	3852352	1	Hose, Water inlet		
38	3852682	2	Screw, Cover		
39	3852537	1	O-ring, Sleeve & connector		Part of transom seal kit
40	3852415	1	Cover		
41	3852354	2	Clamp, Oil line		
42	3852473	2	Screw, Cap to gimbal		
43	3852603	1	Clamp, Exhaust		
44	3852604	1	Clamp, U-joint bellows		
45	3852416	1	Suspension fork		
46	3852544	3	· Bearing, Steering & tilt		Part of transom seal kit
47	3852588	4	· Stud		
48	3852545	2	· Locating pin, Steering arm		
49	3852571	1	· Sleeve, Gimbal		
50	3852585	1	Plate, Steering arm		
51	3850714	1	Housing		
52	3852953	4	· Thread insert, Exhaust pipe		
53	3852515	3	· Thread insert, Steering support		
54	3852513	2	· Thread insert, Retainer		
55	3852567	2	· Thread insert, Steering cover		
56	3852005	1	· Nut, Manifold block		
57	3852121	1	· Fitting		
58	3852141	1	· Stud, Manifold block		
59	3852169	1	· O-ring, Manifold block		Part of transom seal kit
60	3852193	1	· Washer, Manifold block		
61	3852546	4	· Stud, Transom, long		
62	3852547	1	· Bearing, Steering		Part of transom seal kit
63	3852548	1	· Seal, Driveshaft		Part of transom seal kit
64	3852549	1	· Pin, Steering support		

7748040 - - 0-0018

GR999417

Upd: 22 NOV 2005

MD 5.7 GL, 5.7 Gi

VOLVO
PENTA

SX - TRANSOM SHIELD

REF	PART NO.	QTY	DESCRIPTION	SEE SEC.	NOTES
65	3852550	1	· Seal, Transom		Part of transom seal kit
66	3852559	1	· Block		
67	3852846	1	· Seal, Exhaust pipe		Part of transom seal kit
68	3852564	1	· Tube, Grease		
69	3852576	2	· Stud, Transom, short		
70	3853807	1	· Bearing, U-joint		
71	3852526	2	· Thread insert		
72	3852454	2	· Screw, Water tube		
73	3852556	1	· Bushing, Water tube		Part of transom seal kit
74	3853880	1	· Tube		
75	3850694	1	Cable sleeve		
76	3850706	1	Housing		
77	3852536	1	· Plug, Water drain		
79	3852558	2	· Thrust washer, Gimbal to pivot hsg		Part of transom seal kit
80	3852697	2	· Thrust washer, Pivot screw		
81	3852523	1	· O-ring, Plug		Part of transom seal kit
82	3852551	6	· Stud, Pivot to gear hsg		
83	3852514	1	· Thread insert, Shift cable retainer		
84	3854130	1	Zinc anod		
			Bulletin P-44-1-1	P-44-1-1-EN	Anodes, SX AND DP-S
85	3852697		Thrust washer, Steering support bracket		
86	3850470	1	Sender		
87	3852232	1	· Retainer, Arm		
88	3852552	1	· Sender		
89	3852577	1	· Spring		
90	3852164	1	· Nut		
91	3852257	2	· Cable terminal, Socket		
92	3852555	1	Retainer, Trim sender lead		
93	3852149		Lock strap, Sender leads to oil line		
94	3854270	1	Sealing kit		